

# Fluid control valve

## Coil and accessories



### Specification

Model/Item	Power type	Voltage (V)	Frequency (Hz)	Voltage range	Electrical entry	Power Consumption (VA/W)		Insulation	Temp.rise (°C)	
						For NC	For NO		NC	NO
110 Series	AC	220	50	± 15%	DIN Terminal	10.0VA	15.0VA	Class F	35	50
			60			8.0VA	11.0VA		30	40
		110	50			10.0VA	15.0VA		35	50
			60			8.0VA	11.0VA		30	40
	24	50	10.0VA	15.0VA	35	50				
		60	8.0VA	11.0VA	30	40				
	DC	24	-	± 10%	Grommet	6.5W			30	30
		12								
160 Series	AC	220	50	± 15%	DIN Terminal	25.0VA	35.0VA	Class F	60	65
			60			22.0VA	30.0VA		55	60
		110	50			25.0VA	35.0VA		60	65
			60			22.0VA	30.0VA		55	60
		24	50			25.0VA	35.0VA		60	65
			60			22.0VA	30.0VA		55	60
	DC	24	-	± 10%	Grommet	12.0W			40	40
		12								

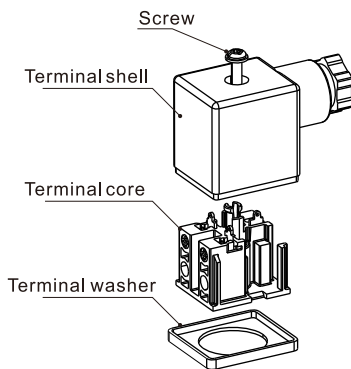
### Hookup

Coil's type		Hookup
110 Series	CDA110 (Terminal)	AC
		DC
	CLA110 (Grommet)	AC
		DC
160 Series	CDA160 (Terminal)	AC
		DC
	CLA160 (Grommet)	AC
		DC

### How to select coil

Valve type\Coil type	110Series		160 Series	
	Class F	Class H	Class F	Class H
2SA□030 2KSA□030	●	×	×	×
2SA□050 2KSA□050	×	×	●	×
2SA150~250 2KSA150~250	●	×	×	×
2WA□030 2KWA□030	●	×	×	×
2WA□050 2KWA□050	×	×	●	×
2WA150~250 2KWA150~250	●	×	×	×

### How to use connector



### How to select accessories

Valve type\Accessories type	F-2WA030LB	F-2WA050LB	F-2WA150LB	F-2WA200LB	F-2WA250LB
2SA□030 2KSA□030	●	×	×	×	×
2SA□050 2KSA□050	×	●	×	×	×
2SA150 2KSA150	×	×	●	×	×
2SA200 2KSA200	×	×	×	●	×
2SA250 2KSA250	×	×	×	×	●
2WA□030 2KWA□030	●	×	×	×	×
2WA□050 2KWA□050	×	●	×	×	×
2WA150 2KWA150	×	×	●	×	×
2WA200 2KWA200	×	×	×	●	×
2WA250 2KWA250	×	×	×	×	●

### Ordering code of coil

**CD A110 A □**

①    ②    ③    ④

①Coil type	②Coil's bore	③Voltage	④Temperature resistance class
CD: Terminal CL: Grommet	A110: Coil Specification (Bore sizeΦ10.0mm) A160: Coil Specification (Bore sizeΦ16.0mm)	A: AC220V B: DC24V C: AC110V E: AC24V F: DC12V	Blank: F Class H: H Class